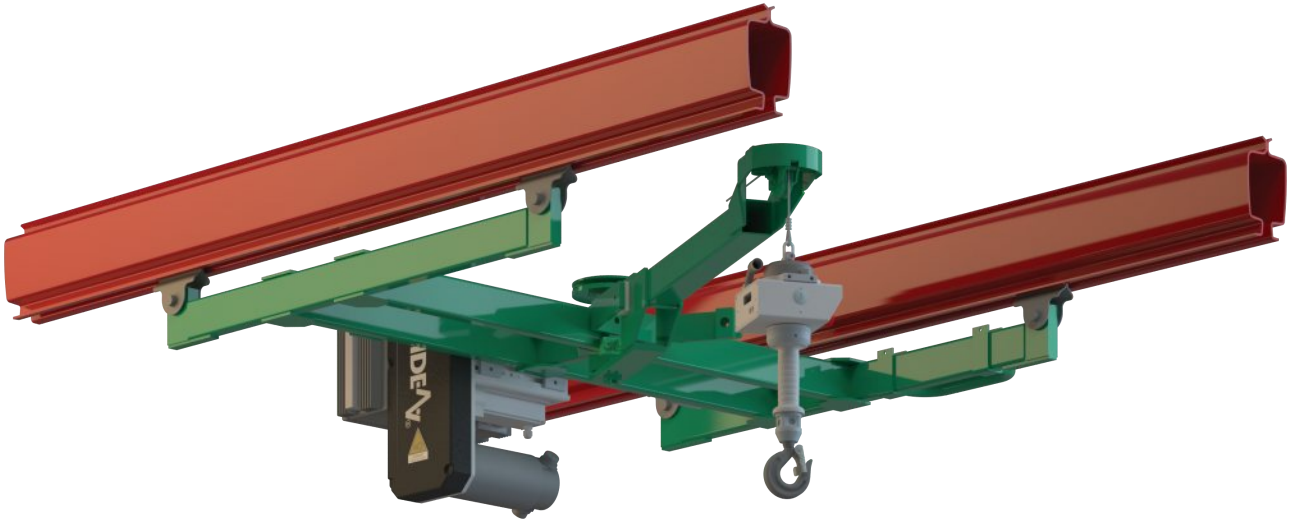
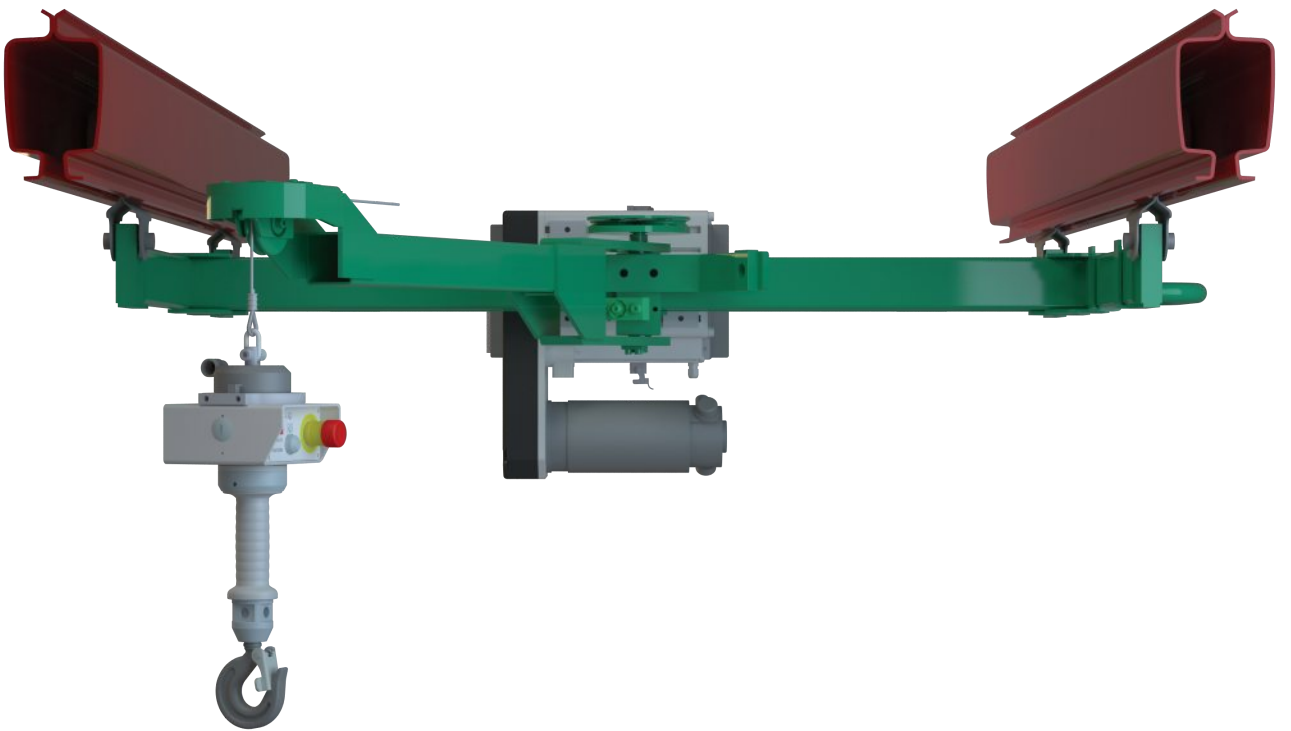


**LIFTRONIC  
TECHNICAL SPECIFICATIONS STRUCTURE "M" (SINGLE RAIL ARM)**



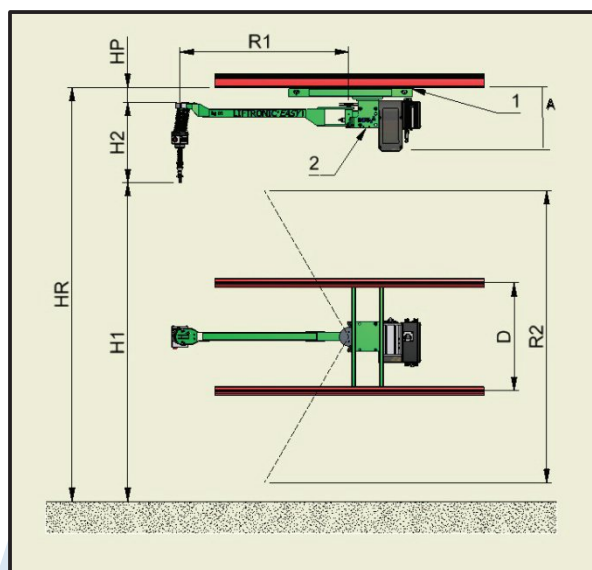
**OVERHEAD RAIL MOUNTED WITH SINGLE JOINT ARM**



## LIFTRONIC WITH SINGLE ARM RAIL MOUNTED:

- √ TROLLEY
- √ STRUCTURE (SINGLE ARM)

TAB.1	MODEL EXAMPLES
	L80M
Load Capacity * (kg)	80
Speed (m/s)	0.6
Vertical Stroke E (m)	2.8
Dimension R1 (mm)	1250
Dimension R2 (mm)	2240
Dimension A (mm)	475
Rail Distance D (mm)	800
Structure Size	Light
Weight (not tool) (kg)	165



\* Max load capacity depends on tool weight and duty cycle  
 HR: when calculating rail height on floor, beware distance 'A' (see above table 1)  
 In case HR > 3500mm, could be necessary to use rope extensions (see SCH182)

Table showing standard arms alternative to the above mentioned table 1

		ARM LENGTH R1 (M)			
		0.8	1	1.25	1.5
<b>Light Size</b>	Capacity (kg)	130	100	80	60
	R2 (mm)	1435	1790	2240	2690

### Special Configuration:

- √ Special painting (standard: green RAL 6018)
- √ Arm Length